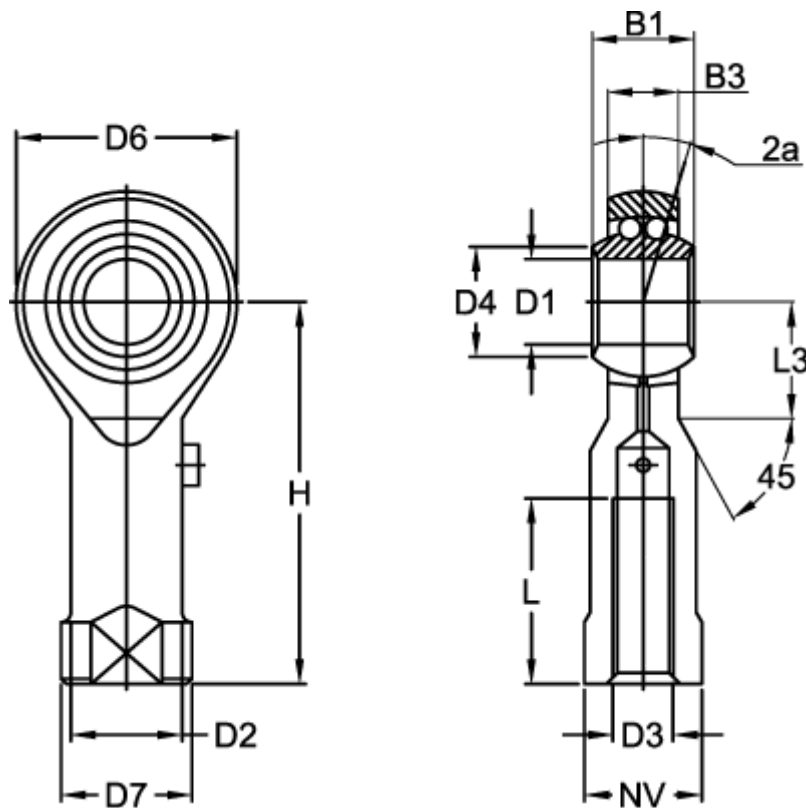


Article number: 03706030

Description: Fluro rod end BRF 30  
with ball bearing

## Measures



Angel 2a = 7.5	D7	= 50
B1 = 37	Dynamic load C (N)	= 14150
B3 = 25.00	H	= 110
D1 = 30	L	= 51
D2 = 40.0	L3	= 35
D3 = M30x2	Max rpm	= 450
D4 = 34.5	NV	= 41
D6 = 70	Static load (N)	= 7450

Weight (kg) = 0.978